

4x1 HDMI KVM Switcher

HKS0401A30

This 4x1 HDMI KVM Switcher provides you with great flexibility in integrating cross-platform computer equipment easily. It makes you available to switch easily and reliably between any HDMI computers using one HDMI compliant display.

The 4x1 HDMI KVM Switcher supports USB 2.0 hub and USB 2.0 keyboard /mouse. By using USB 2.0 hub ports on the KVM, you even can attach USB drive, printer, barcode scanner or other USB devices to the KVM. Switching can be controlled through variable methods, such as the front panel source selector buttons, IR signals and hot keys on keyboard. With EDID emulators in every input ports, keep PCs always have correct display information, prevent display settings changed while switching input ports.

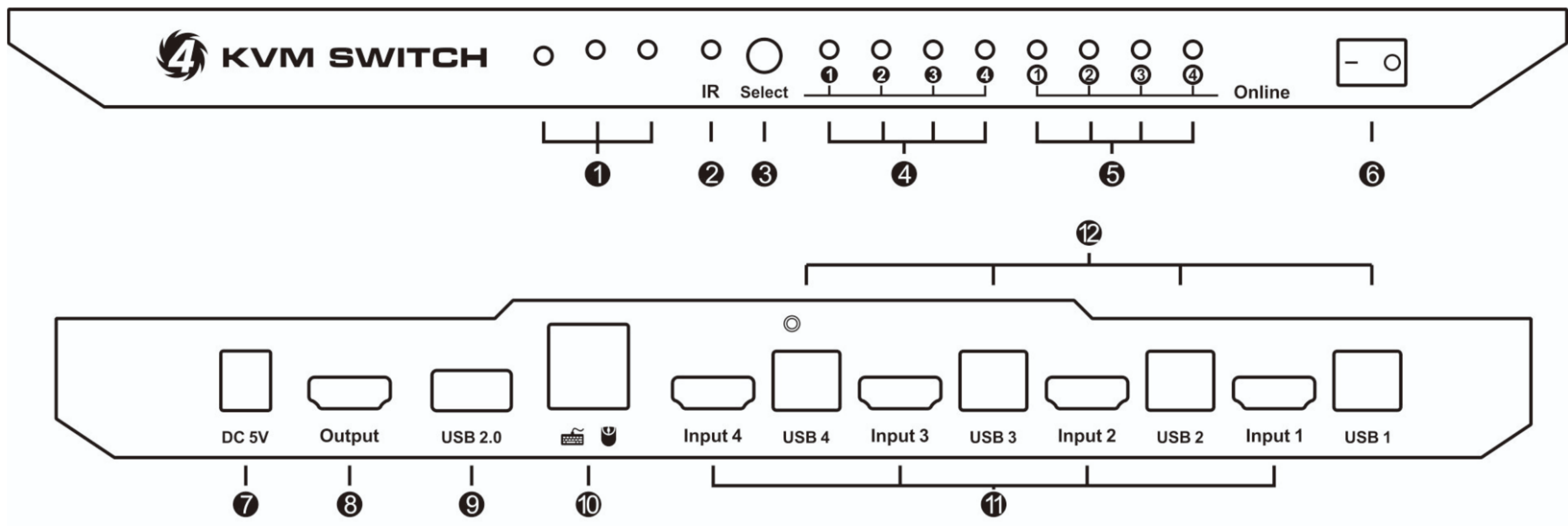
Features

- Using only 1 set of keyboard, mouse and monitor to control 4 host devices.
- Support Unix/ Windows/ Debian/ Ubuntu/ Fedora/ Mac OS X/ Raspbian/ Ubuntu for Raspberry Pi and other Linux based system.
- Support hot plug, connect or disconnect devices to the KVM switch in any time and without turn off devices.
- Support auto switching among all devices so as to monitor the devices in a specified time interval.
- Support keyboard hot keys to control KVM switch.
- Available to use keyboard without any delay after switch host devices.
- Support resolution up to 3840*2160@30Hz.
- With extra standard USB port, it is possible to connect bar code scanner, USB hard drive or other USB devices to KVM just as you have plug these devices directly to PC.
- Support IR control, easy to control KVM by remote control.
- With EDID emulators in every input ports, keep PCs always have correct display information.
- Supports DVI-D single link sources and displays with the use of HDMI-to-DVI adapters.

Packing list

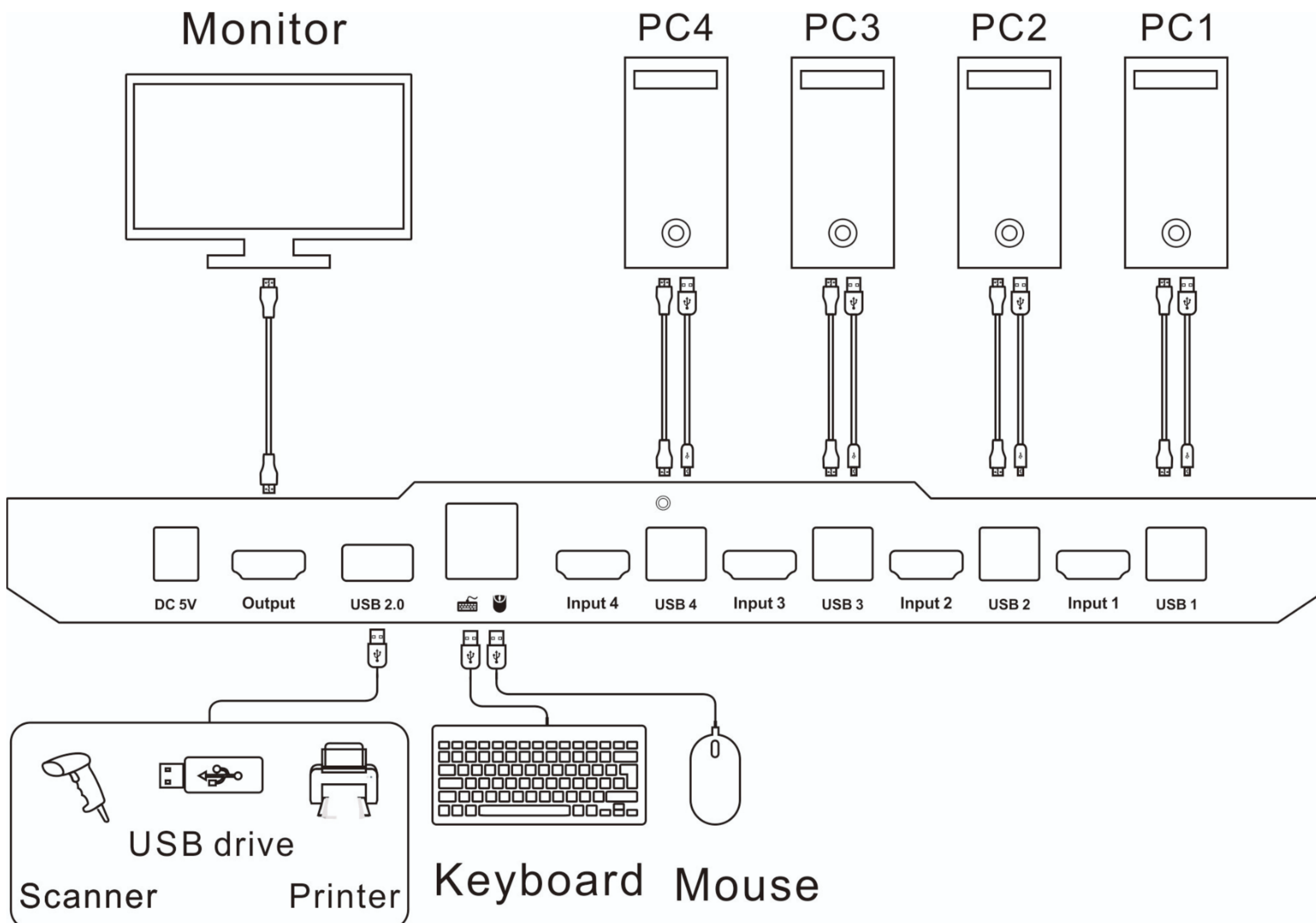
- 1 * 4x1 HDMI KVM Switcher
- 1 * DC 5V Power Adapter
- 1 * IR Remote Control
- 1 * Quick-Start Guide

Panel descriptions



- | | |
|----------------------------|-----------------------------|
| ① Reserved for other model | ⑦ DC 5V input |
| ② IR receiver | ⑧ HDMI output |
| ③ Input selection button | ⑨ Standard USB 2.0 port |
| ④ Input selection status | ⑩ Keyboard and mouse input |
| ⑤ USB connection status | ⑪ HDMI input ports |
| ⑥ Power switch | ⑫ USB ports connected to PC |

Connection diagram



Specification

HKS0401A30	4x1 HDMI KVM Switcher	
Functionality:		
Auto Scan	Yes	
Port selection	Front panel buttons	Yes
	Keyboard hotkeys	Yes
	IR remote control	Yes
	Console commands	No
Technical:		
Resolution	Up to 3840x2160@30Hz	
Auto to get EDID	Yes	
Data rate	10.2 Gbps	
Auto scan interval	1~250 Seconds	
Beep Sound	On/Off	
OSD	No	
Supported OS	Unix/Windows/Debian /Ubuntu /Fedora /Mac OS X/ Raspbian /Ubuntu for Raspberry Pi and other Linux b ased system	
Console ports	Keyboard emulation	1 * USB Type A
	Mouse emulation	1 * USB Type A
	USB 2.0 Hub ports	1 * USB Type A
	Video /Audio	1 * HDMI Type A
	RS232	NA
	LAN	NA
System ports	USB Data	4 * USB Type B
	Video / Audio	4 * HDMI Type A
ESD protection	Human body model - ±8kV (Air-gap discharge)	
Mechanical:		
Chasing material	Aluminum Alloy	
Product Dimensions	300 (L) x 117 (W) x 30 (H) mm	
Item Weight	800g	