

2x1 HDMI KVM Switcher

HKS0201A20

This 2x1 HDMI KVM Switcher provides you with great flexibility in integrating cross-platform computer equipment easily. It makes you available to switch easily and reliably between any HDMI computers using one HDMI compliant display.

The 2x1 HDMI KVM Switcher supports USB 2.0 hub and USB 2.0 keyboard /mouse. By using USB 2.0 hub ports on the KVM, you even can attach USB drive, printer, barcode scanner or other USB devices to the KVM. Switching can be controlled through variable methods, such as the front panel source selector buttons, IR signals and hot keys on keyboard.

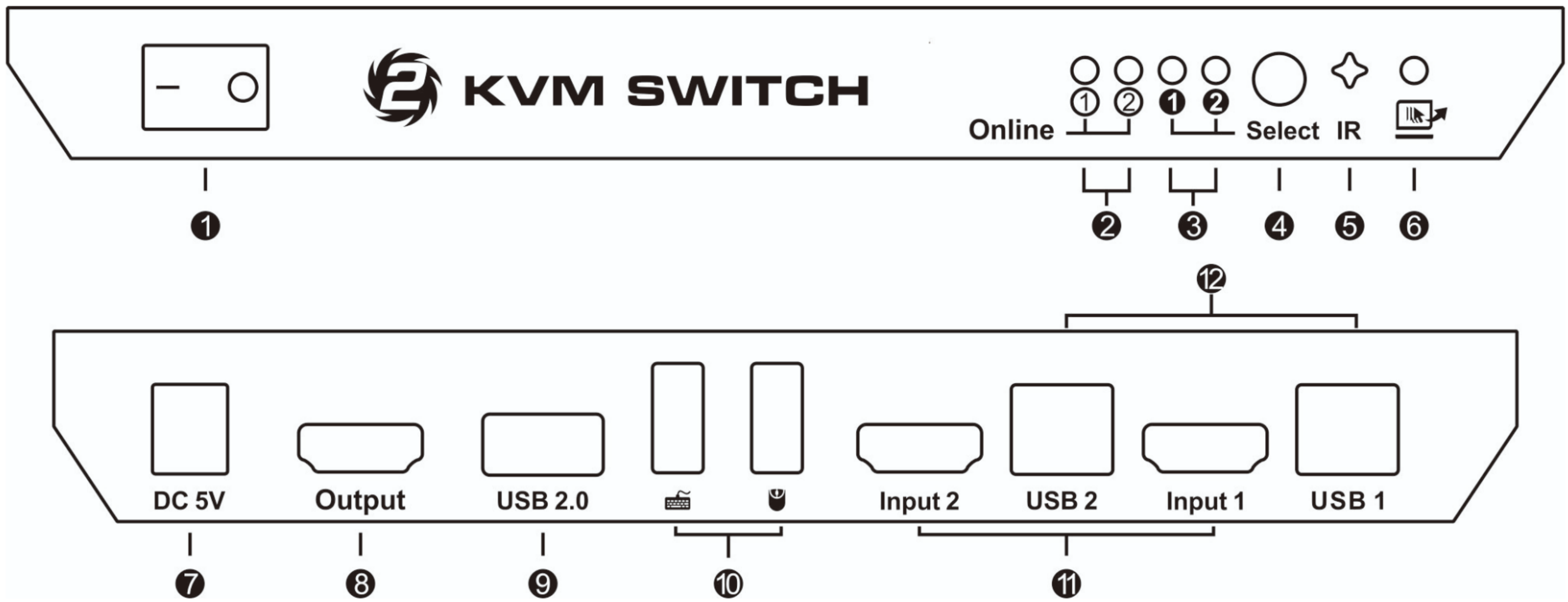
Features

- Using only 1 set of keyboard, mouse and monitor to control 2 host devices.
- Support Unix /Windows /Debian /Ubuntu /Fedora /Mac OS X /Raspbian /Ubuntu for Raspberry Pi and other Linux based system.
- Support hot plug, connect or disconnect devices to the KVM switch in any time and without turn off devices.
- Support auto switching to monitor computers in a specified time interval.
- Support hot key commands and mouse gesture to switch inputs.
- Support front panel buttons, IR signals, keyboard hot keys to control KVM switch.
- Available to use keyboard without any delay after switch host devices.
- Support resolution up to 3840*2160@30Hz.
- With extra standard USB 2.0 hub port, it is possible to connect bar code scanner, USB hard drive or other USB devices to KVM just as you have plug these devices directly to computer.
- With EDID emulators in every input ports, keep PCs always have correct display information.
- Supports DVI-D single link sources and displays with the use of HDMI-to-DVI adapters.

Packing list

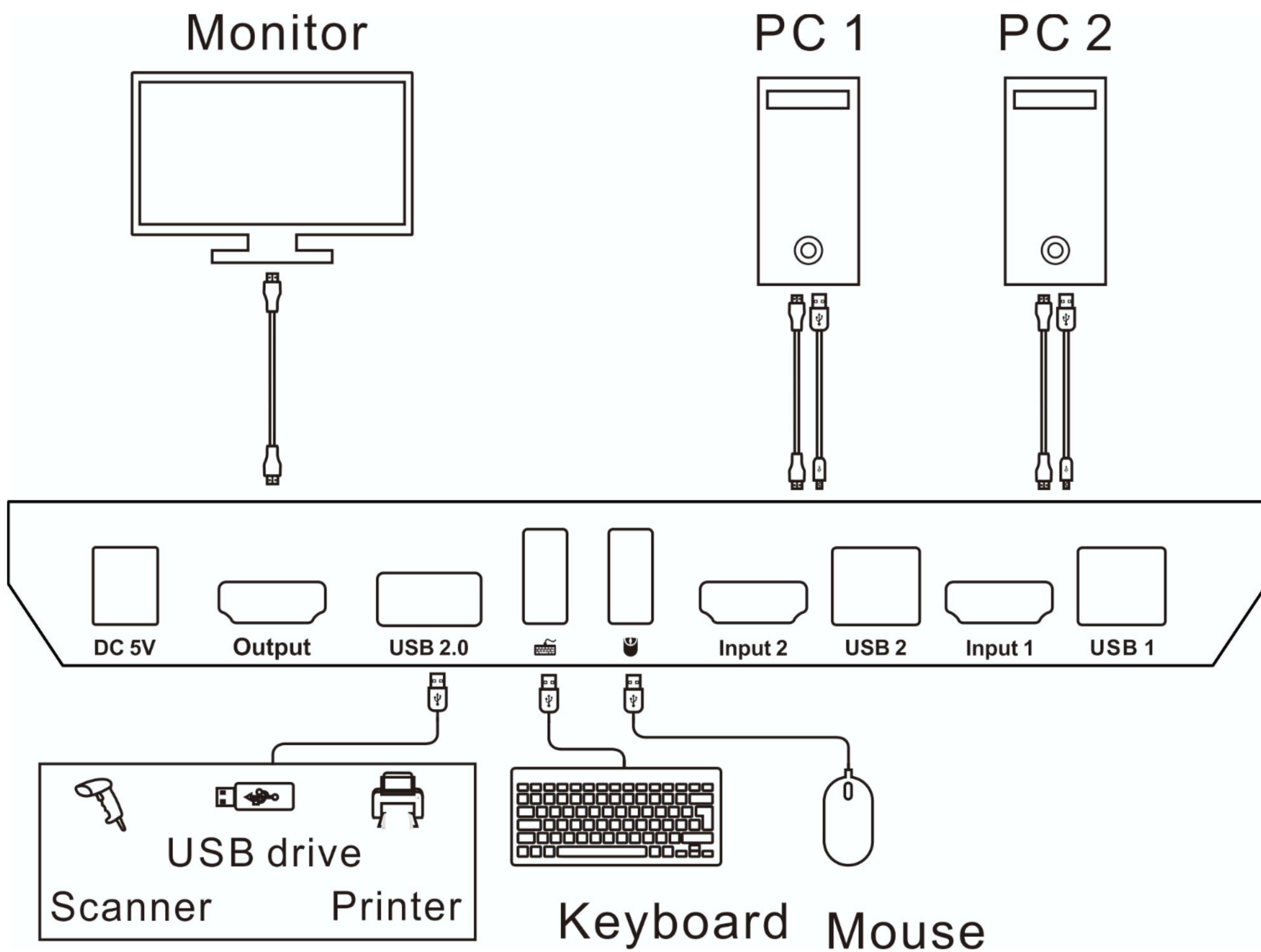
- 1 * 2x1 HDMI KVM Switcher
- 1 * DC 5V Power Adapter
- 1 * IR Remote Control
- 1 * Quick-Start Guide

Panel Descriptions



- | | |
|---------------------------|-------------------------------|
| 1. Power switch | 7. DC 5V |
| 2. USB connection status | 8. HDMI output |
| 3. Input selection status | 9. Standard USB 2.0 port |
| 4. Input selection button | 10. Keyboard and mouse input |
| 5. IR receiver | 11. HDMI input |
| 6. Fast switching status | 12. USB ports connected to PC |

Connection Diagram



Specification

| | | |
|-----------------------|----------------------------------------------------------------------------------------------------------------------|-----------------|
| HKS0201A20 | 2x1 HDMI KVM Switch | |
| Functionality: | | |
| Auto Scan | Yes | |
| Port selection | Front panel buttons | Yes |
| | Keyboard hotkeys | Yes |
| | IR remote control | Yes |
| | Mouse gesture | Yes |
| | Console commands | No |
| Technical: | | |
| Resolution | Up to 3840x2160@30Hz | |
| Auto to get EDID | Yes | |
| Data rate | 10.2 Gbps | |
| Auto scan interval | 1~250 Seconds | |
| Beep Sound | On/Off | |
| OSD | No | |
| Supported OS | Unix/Windows/Debian /Ubuntu /Fedora /Mac OS X/ Raspbian /Ubuntu for Raspberry Pi and other Linux b ased system | |
| Console ports | Keyboard emulation | 1 * USB Type A |
| | Mouse emulation | 1 * USB Type A |
| | USB 2.0 Hub ports | 1 * USB Type A |
| | Video /Audio | 1 * HDMI Type A |
| | RS232 | NA |
| | LAN | NA |
| System ports | USB Data | 2 * USB Type B |
| | Video / Audio | 2 * HDMI Type A |
| ESD protection | Human body model - ± 8 kV (Air-gap discharge) | |
| Mechanical: | | |
| Chasing material | Aluminum Alloy | |
| Product Dimensions | 196 (L) x 80 (W) x 24 (H) mm | |
| Item Weight | 500g | |