

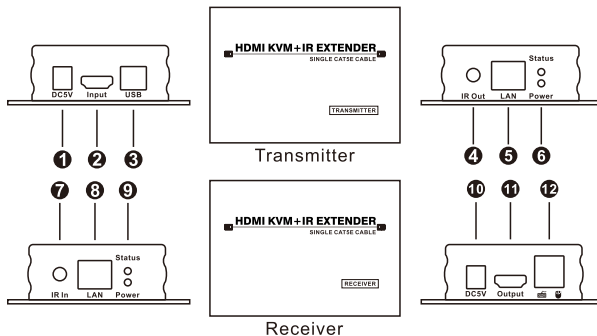
HDMI KVM+IR Extender

User manual

FEATURES :

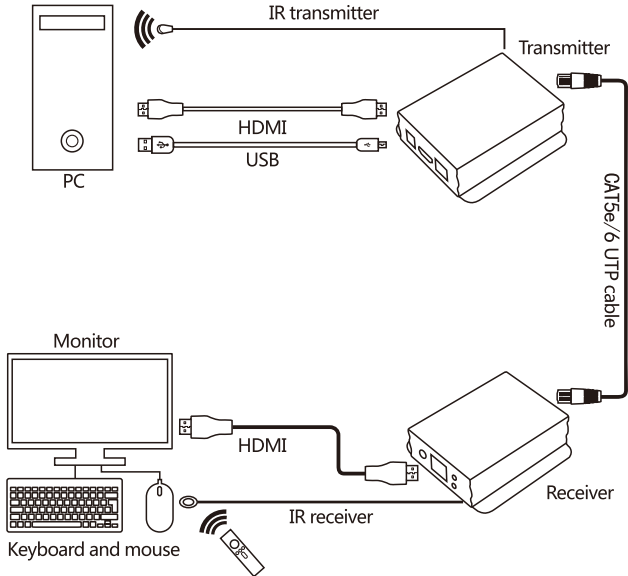
- Use single UTP cable (CAT5e/6, should follow EIA/TIA 568B standard) to substitute HDMI cable to extend longer transmission distance
- Support 8KV ESD protection
- Support TMDS equalization and enhancement
- Support EDID pass through via LAN, for best compliance with most display devices.
- Support Infrared control signal pass through via LAN
- By transmitting keyboard and mouse data via LAN, it is easy to control PC remotely
- Support 1080P 60Hz resolution transmission via UTP cable up to 60 metres

PANEL DESCRIPTIONS:



- ① DC 5V Input
- ② HDMI input port
- ③ USB connection port
(To computer)
- ④ IR transmitter port
- ⑤ UTP cable connection port
- ⑥ LED indicators of power and connection status
- ⑦ IR receiver port
- ⑧ UTP cable connection port
- ⑨ LED indicators of power and connection status
- ⑩ DC 5V Input
- ⑪ HDMI output port
- ⑫ USB keyboard and mouse input

CONNECTION DIAGRAM:



PACKING LIST

- 1 * Transmitter, 1 * Receiver
- 1 * IR transmitter, 1 * IR receiver
- 2 * DC 5V power adapter
- 1 * User Manual